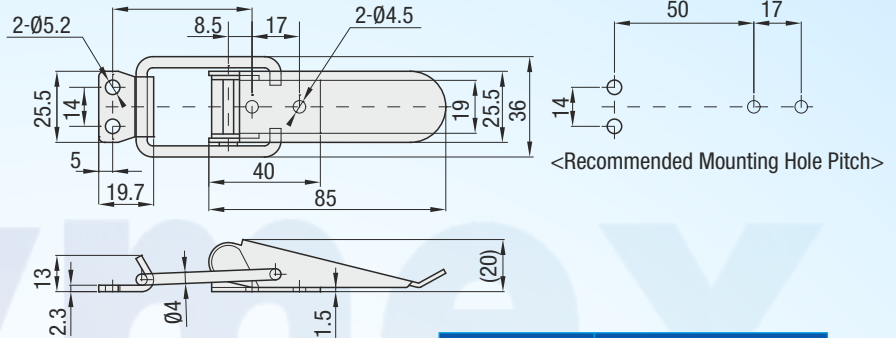


Stainless Steel Draw Latches / Medium Load



Stainless Steel Draw Latches for Medium Loads

DPKWSA



* The dimensions are for 0mm tightening amount.

M	Material	S	Surface Treatment
	SUS304		Tumble Polish

Part Name		* Pull Force	Mass
Type	No.	N (kgf)	(g)
DKWSA	1	245 (25)	80

Basic Specifications

- Pull Force (N) - 245
- Type - Stainless Steel Draw Latch for Medium Loads

ORDERING GUIDE



DKWSA1

www.dymextech.com

india@dymextech.com