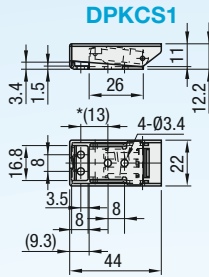
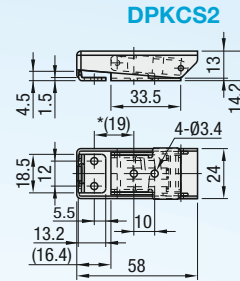
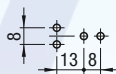


Covered Snap Locks

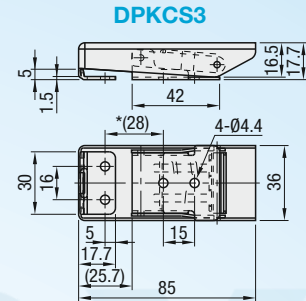
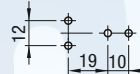
Covered Draw Latches



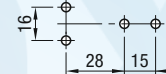
<Recommended Mounting Hole Pitch>



<Recommended Mounting Hole Pitch>



<Recommended Mounting Hole Pitch>



* The dimensions are for 0mm tightening amount.

Part Number	*Pull Force N(kgf)	Mass (g)	
Type	No.		
DPKCS	1	12 (1.2)	25
	2	69 (7)	53
	3	81 (8.3)	115

M Material	S Surface Treatment
SUS304	Tumble Polish

● Pull force is the reference value for 1mm pull distance.

Basic Specifications

■ **Type** - Covered Draw Latches

